

# University of Kentucky

## Design Standard

274100D02

### Standard Single Projection Classroom



University of Kentucky  
ITS AV Services

Lexington, KY 40506  
859-323-6455

274100D02 Single Projection  
Classroom Schematics  
Dated: 10/2024  
Applies to: All Projects  
University of Kentucky

Created 9/3/2024  
Modified 9/17/2024

Standard Single Projection  
Classroom

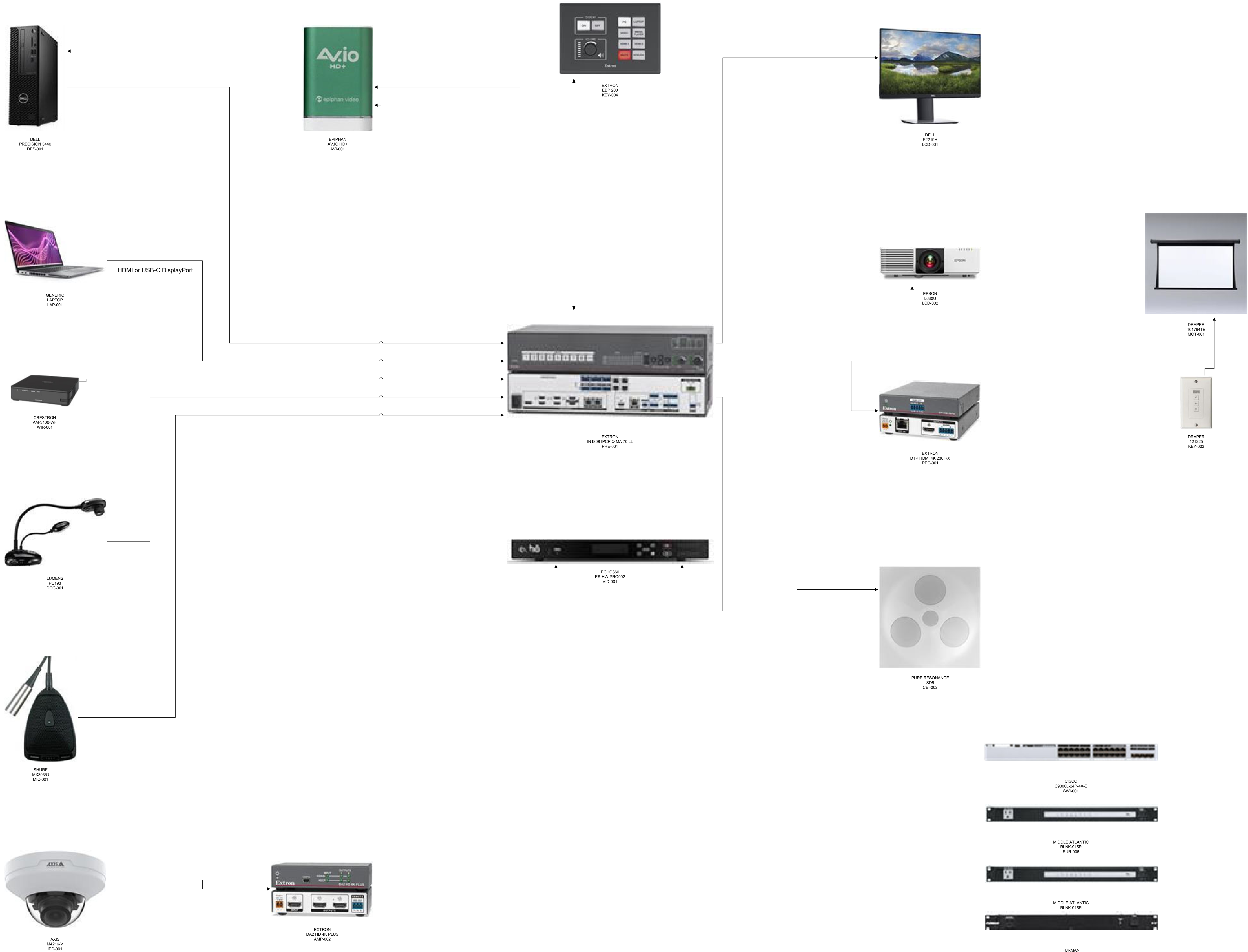
Cover Sheet





University of Kentucky  
ITS AV Services

Lexington, KY 40506  
859-323-6455



274100D02 Single Projection  
Classroom Schematics  
Dated: 10/2024  
Applies to: All Projects  
University of Kentucky

Scale: 3/4" = 1'-0"

Created 9/3/2024  
Modified 9/17/2024

Standard Single Projection  
Classroom

Line Diagram



University of Kentucky  
ITS AV Services

Lexington, KY 40506  
859-323-6455

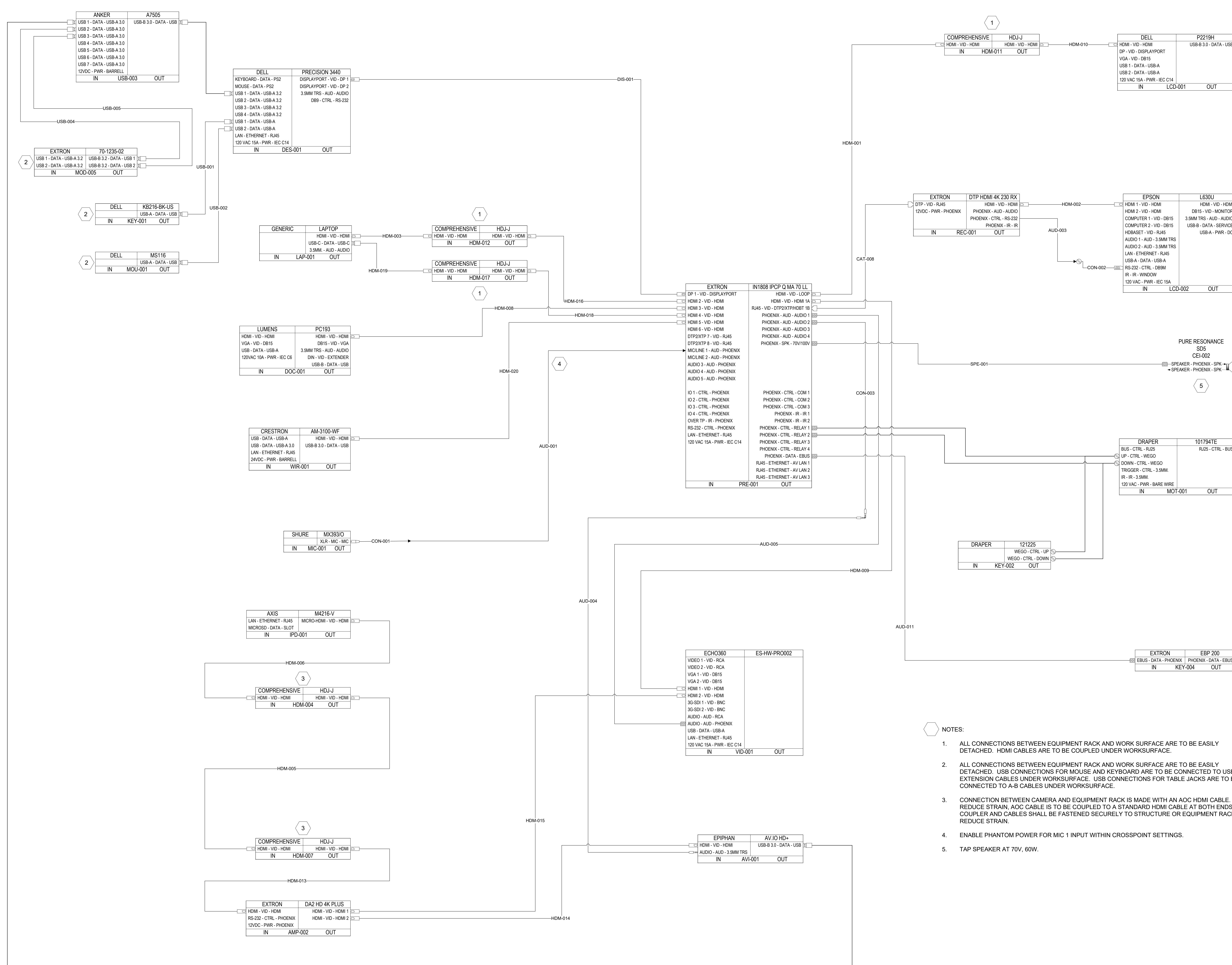
274100D02 Single Projection  
Classroom Schematics  
Dated: 10/2024  
Applies to: All Projects  
University of Kentucky

Scale: 3/4" = 1'-0"

Created 9/3/2024  
Modified 9/17/2024

Standard Single Projection  
Classroom

Audio, Video, and Control  
Schematic



- NOTES:
- ALL CONNECTIONS BETWEEN EQUIPMENT RACK AND WORK SURFACE ARE TO BE EASILY DETACHED. HDMI CABLES ARE TO BE COUPLED UNDER WORKSURFACE.
  - ALL CONNECTIONS BETWEEN EQUIPMENT RACK AND WORK SURFACE ARE TO BE EASILY DETACHED. USB CONNECTIONS FOR MOUSE AND KEYBOARD ARE TO BE CONNECTED TO USB EXTENSION CABLES UNDER WORKSURFACE. USB CONNECTIONS FOR TABLE JACKS ARE TO BE CONNECTED TO A-B CABLES UNDER WORKSURFACE.
  - CONNECTION BETWEEN CAMERA AND EQUIPMENT RACK IS MADE WITH AN AOC HDMI CABLE. TO REDUCE STRAIN, AOC CABLE IS TO BE COUPLED TO A STANDARD HDMI CABLE AT BOTH ENDS. COUPLER AND CABLES SHALL BE FASTENED SECURELY TO STRUCTURE OR EQUIPMENT RACK TO REDUCE STRAIN.
  - ENABLE PHANTOM POWER FOR MIC 1 INPUT WITHIN CROSSPOINT SETTINGS.
  - TAP SPEAKER AT 70V, 60W.





University of Kentucky  
ITS AV Services

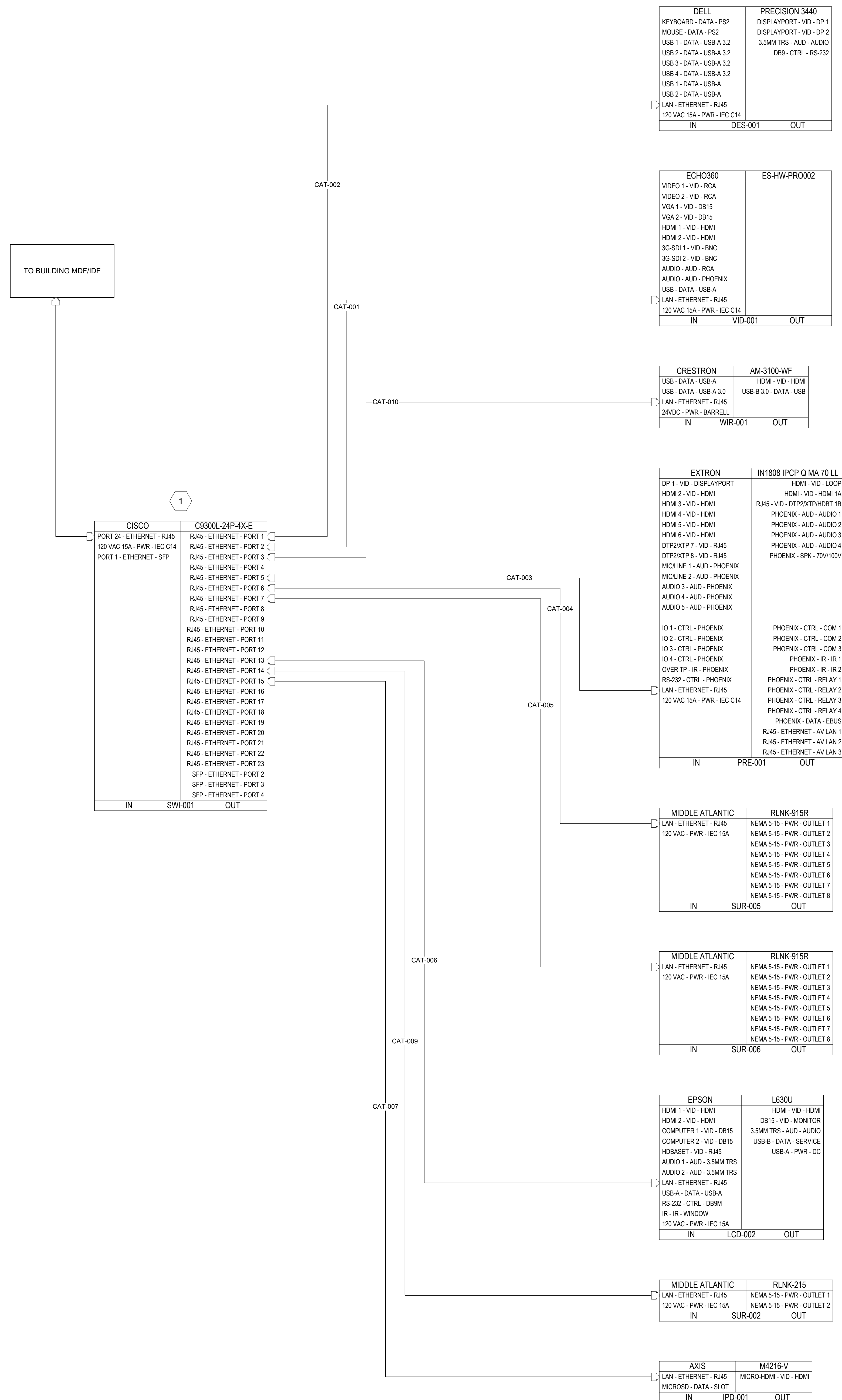
Lexington, KY 40506  
859-323-6455

274100D02 Single Projection  
Classroom Schematics  
Dated: 10/2024  
Applies to: All Projects  
University of Kentucky

Created 9/3/2024  
Modified 9/17/2024

Standard Single Projection  
Classroom

Network Schematic



- NOTES:
1. NETWORK SWITCH IS CONFIGURED BY UNIVERSITY OF KENTUCKY IT SERVICES WITH MULTIPLE VLANS. SWITCH MUST BE CONNECTED IN ACCORDANCE WITH THIS SCHEMATIC IN ORDER FOR SYSTEM TO OPERATE PROPERLY.



University of Kentucky  
ITS AV Services

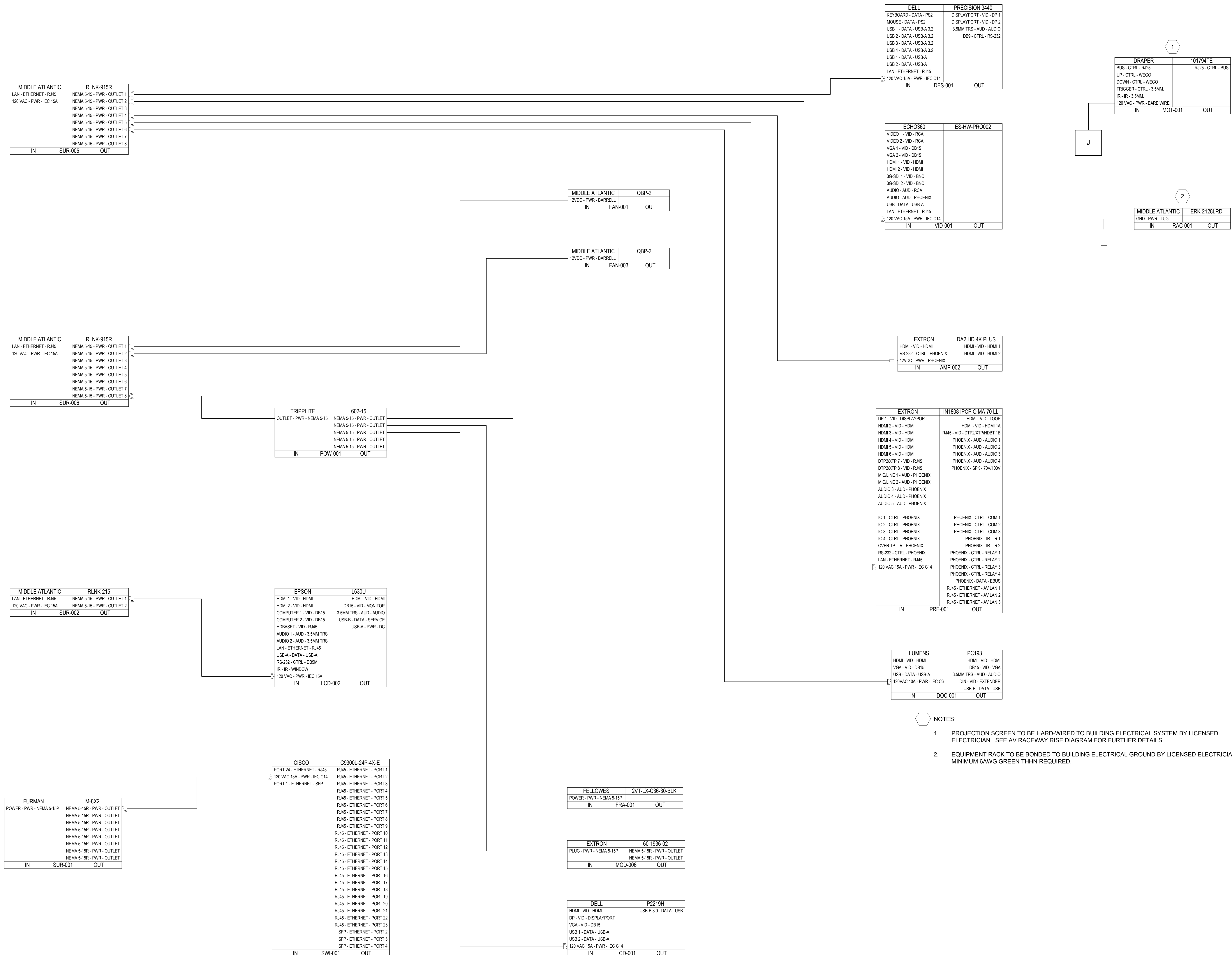
Lexington, KY 40506  
859-323-6455

274100D02 Single Projection  
Classroom Schematics  
Dated: 10/2024  
Applies to: All Projects  
University of Kentucky

Created 9/3/2024  
Modified 9/17/2024

Standard Single Projection  
Classroom

Power Schematic

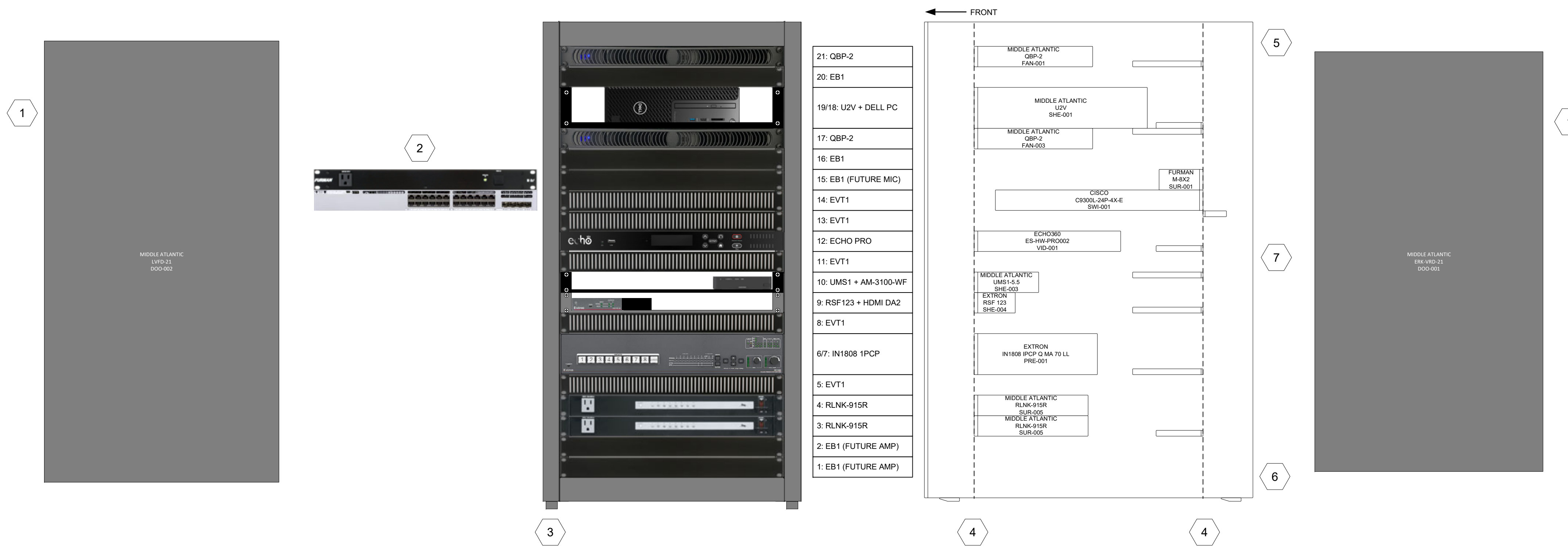






University of Kentucky  
ITS AV Services

Lexington, KY 40506  
859-323-6455



- NOTES:
- FRONT AND REAR DOORS TO BE HINGED ON SIDE CLOSEST TO WALL. FRONT DOOR TO HAVE THUMB LOCK INSTALLED. KEY LOCK AND KEYS FOR REAR DOOR TO BE PROVIDED TO UK AV SERVICES REPRESENTATIVE PRIOR TO COMPLETION.
  - NETWORK SWITCH AND SWITCH'S POWER CONDITIONER TO BE MOUNTED TO REAR RACKRAILS IN THESE RACK SPACES. COORDINATION WITH UK ITS NETWORKING WILL BE REQUIRED.
  - RACK MUST HAVE ISOLATION FEET ATTACHED.
  - FRONT AND REAR RACKRAILS TO BE INSET 3".
  - TOP REAR MIDDLE 1.5" KNOCKOUT TO BE REMOVED FOR CABLE ENTRY FROM DOCUMENT CAMERA. KNOCKOUT OPENING TO BE PROTECTED WITH 1.5" RUBBER GROMMET OR RING.
  - BOTTOM REAR OUTER-MOST 1.5" KNOCKOUT ON LEFT AND RIGHT SIDE TO BE REMOVED FOR CABLE ENTRY/EXIT TO AND FROM WALL AND LECTERN. KNOCKOUT OPENINGS TO BE PROTECTED WITH 1.5" RUBBER GROMMETS OR RINGS. WIRE BUNDLES TO BE JACKETED IN WRAP-AROUND BRAIDED SLEEVING (BTX IN-XSW2BK OR SIMILAR) FOR ENTIRE LENGTH.
  - WIRE MANAGEMENT TO BE PERFORMED IN A CLEAN AND PROFESSIONAL MANNER USING LACER BARS AND HOOK-AND-LOOP FASTENERS. ALL WIRES TO BE LABELED IN ACCORDANCE WITH CONVENTIONS ON THIS PAGE. UNLESS OTHERWISE NOTED, ADHERE TO AVIXA STANDARD F502.01:2018.

EQUIPMENT RACK ELEVATION

- LINE 1 LABELS SHALL:  
 LINE 2 -BE PRINTED BLACK-ON-WHITE IN  
 LINE 3 WIRE-WRAP FORMAT (SEE LEFT)  
 LINE 1 -BE 3/4" IN WIDTH  
 LINE 2  
 LINE 3 -BE CONSTRUCTED OF FLEXIBLE  
 NYLON FABRIC  
 (BRADY M21-750-499, DYMO 18489,  
 OR SIMILAR)

FORMAT	EXAMPLE SOURCE AUDIO CON	EXAMPLE SOURCE VIDEO CON	EXAMPLE SOURCE LAN CON	EXAMPLE DEVICE POWER CON	FORMAT	EXAMPLE AV SW AUDIO CON	EXAMPLE AV SW VIDEO CON	EXAMPLE SWITCH LAN CON	EXAMPLE PDU POWER CON
WIRE ID DEST TERM	AUD-001 IN1808 MIC 1 AUD-001 IN1808 MIC 1 AUD-001 IN1808 MIC 1	HDM-008 IN1808 HDMI 3 HDM-008 IN1808 HDMI 3 HDM-008 IN1808 HDMI 3	CAT-002 SWITCH PORT 1 CAT-002 SWITCH PORT 1 CAT-002 SWITCH PORT 1	T SURGE 2 T SURGE 2 T SURGE 2	WIRE ID TERM SOURCE	AUD-001 MIC 1 MX393 AUD-001 MIC 1 MX393 AUD-001 MIC 1 MX393	HDM-008 HDMI 3 DOC CAM HDM-008 HDMI 3 DOC CAM HDM-008 HDMI 3 DOC CAM	CAT-002 PORT 1 PC CAT-002 PORT 1 PC CAT-002 PORT 1 PC	2 ECHO 2 ECHO 2 ECHO

WIRE LABELING CONVENTIONS

274100D02 Single Projection  
Classroom Schematics  
Dated: 10/2024  
Applies to: All Projects  
University of Kentucky

Scale: 2" = 1'-0"

Created 9/3/2024  
Modified 9/17/2024

Standard Single Projection  
Classroom

Elevation View