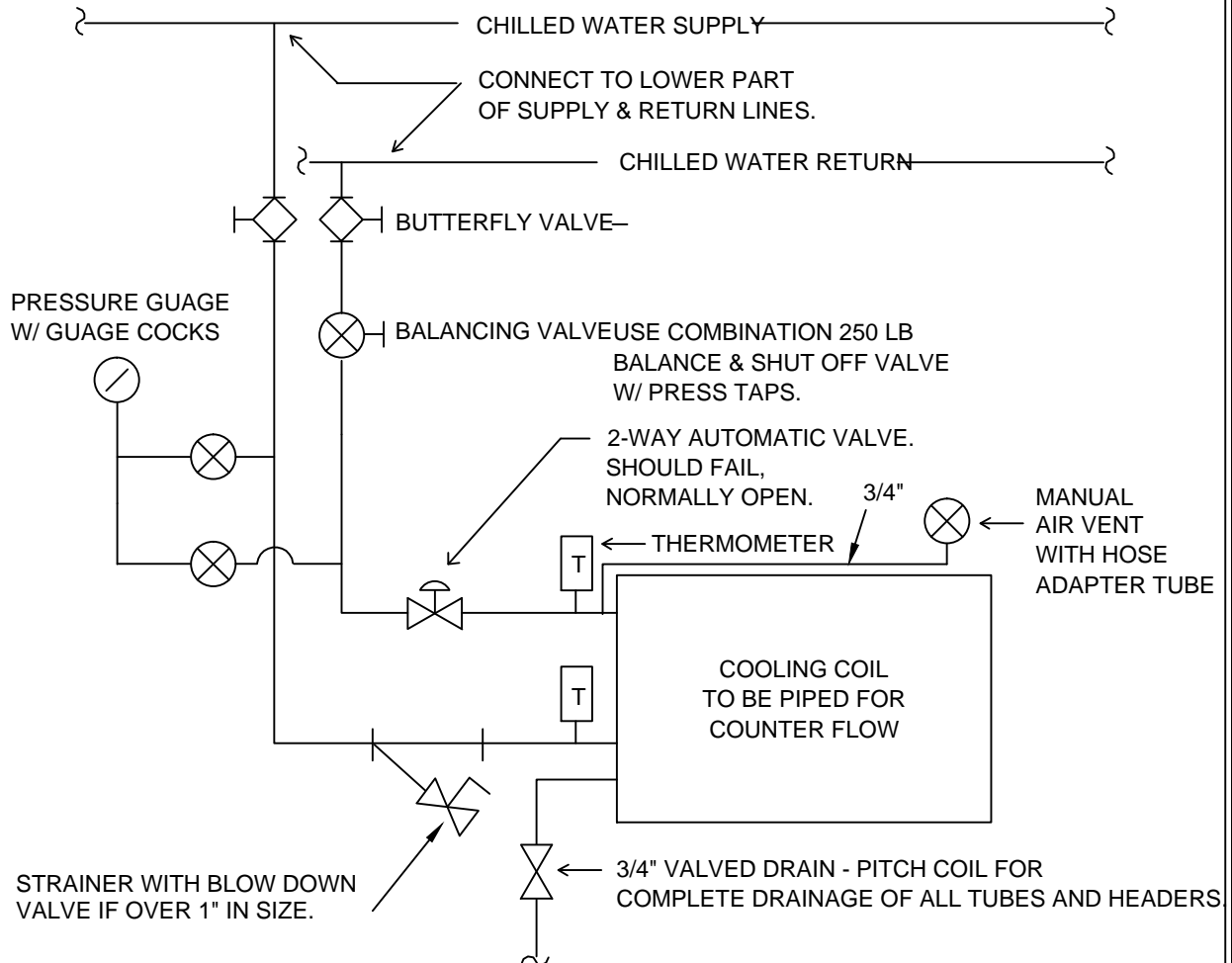


233000D01 HVAC AIR DISTRIBUTION Chilled Water Coil Piping

TYPICAL CHILLED WATER COIL PIPING
 NOTE: This drawing is for the main campus systems.



NOTES:

- 250 PSI minimum pressure rating (main campus system).
- 5 PSI maximum differential pressure between CWS and CWR campus mains.

SCALE: NONE



UNIVERSITY OF KENTUCKY DESIGN & CONSTRUCTION STANDARDS

DRAWN BY <u>GSB</u> APP. BY <u>MA</u> DATE <u>7/86</u>	REVISION DATE GSB 11/2/89 RLM 11/26/90 JG 2/28/91	TITLE : CHILLED WATER COIL PIPING	DRAWING NO. <u>233000D01</u>
--	--	--	-------------------------------------